



Geo-Sentry™ Zone Valve

The Taco Geo-Sentry™ Zone Valve enhances the overall performance of any geothermal system. The unique patented technology in the Geo-Sentry™ utilizes a microcircuit based logic to control a gear driven electronic actuator which drives a ball valve based body design. All this adds up to a geothermal zone valve that leads the industry in energy efficiency, flow capacity (C_v), shutoff pressure rating, ease of installation, diagnostic capability and the number of valves (12) that can be use on a standard 40VA transformer. The Taco Geo-Sentry™ zone valves are available in sweat, threaded and 3-way configurations.



Submittal Data Information Geo-Sentry™ Ball Valve Zone Valve

Submittal Data # 101-153
Supersedes: New

Effective: 09/28/12

Product Specifications

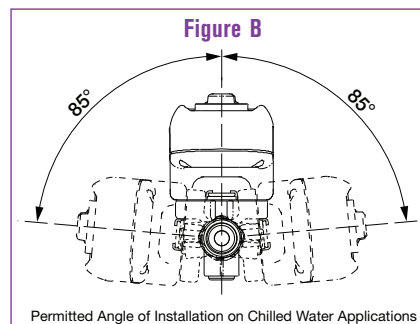
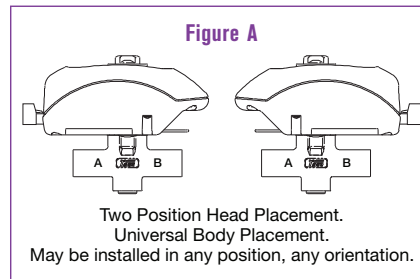
Max. Operating Pressure	... 300 PSI (2100 kPa)
Max. Shutoff Pressure 125 PSI (875 kPa)
Fluid Temp. Range 20 to 220°F (-7 to 104°C)
Service Open and closed systems
Fluids Water Up to 25% Ethanol Up to 25% Methanol Up to 50% Glycol
Ball Rotation Speed (90° turn), Approximately 5 seconds (after charge time)
Electrical Rating 24 VAC, 60Hz 0.48 Amps
Power Consumption (Charging) 11.4 W, 0.48 Amps
Power Consumption (Power On) 1.44W, 0.06 Amps
Heat Anticipator Setting	... 0.5 Amps
End Switch Rating 1 Amp @ 24 VAC

Application:

The Geo-Sentry™ Zone Valve provides on-off, normally open or normally closed control and is especially suited for use in either open or closed loop geothermal systems with water source heat pumps.

Ease of Installation / Operation:

The Geo-Sentry™ is the most technologically advanced zone valve ever made. It's also simple to install and operate. The valve can be installed in any direction, in any orientation except for chilled water installations (see Figure B). We then went a step further, allowing the actuator to be mounted to the valve body in either direction (see Figure A). Snap-in quick connects on the back of the valve make for a simple, secure and fast wiring hook-up. A green LED light shows full functionality of the valve's operation and thermostat status. Under a no power situation the manual override button located on the top of the valve allows the ball to be rotated up to 90° and is also marked with a slot to indicate the position of the valve.



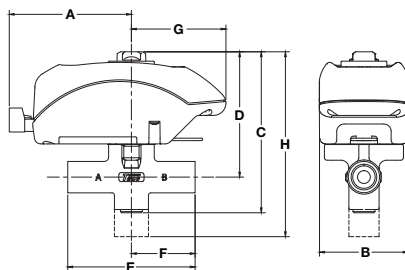
Materials of Construction, Actuator:

Body High Performance Engineered Polymer
Gears High Performance Internally Lubricated Engineered Polymer

Materials of Construction, Valve:

Body Forged Brass
Stem Brass
Press Ring Brass
Ball Brass (Chrome Plated)
Seat Modified Teflon*
O-Rings EPDM

Geo-Sentry™ Dimensions



Valve Size	2-WAY Cv (Kv) / Ft. of Pipe Equiv.**	Close-Off Pressure (kPa)	3-WAY Cv (Kv) / Ft. of Pipe Equiv.**
1/2"	4.9 (4.3) / 9.5	0-125 psi (0-862 kPa)	1.5 (1.3) / 111
3/4"	10.3 (8.9) / 8.4	0-125 psi (0-862 kPa)	3.3 (2.8) / 82
1"	8.9 (7.7) / 47.4	0-125 psi (0-862 kPa)	3.0 (2.6) / 411

**At 4' per second (Max. recommended flow rate is 8' per second).

Geo-Sentry™ Dimensions: (FOR REFERENCE PURPOSES)

Valve Size	A		B		C		D		E (Sweated)		E (Threaded)		F		G		H (3-way)	
	in.	mm	in.	mm	in.	mm	in.	mm	in.	mm	in.	mm	in.	mm	in.	mm	in.	mm
1/2"	3"	76.2	2-3/8"	60.3	4-1/8"	104.7	3-1/16"	77.8	3-1/8"	79.3	3-3/4"	95.3	1-9/16"	39.7	2-5/16"	58.7	5-1/16"	128.5
3/4"	3"	76.2	2-3/8"	60.3	4-1/8"	104.7	3-1/8"	79.3	3-1/8"	79.3	3-5/16"	84.1	1-9/16"	39.7	2-5/16"	58.7	5-3/8"	136.4
1"	3"	76.2	2-3/8"	60.3	4-1/8"	104.7	3-1/8"	79.3	3-7/8"	98.4	3-7/8"	98.4	1-7/8"	47.6	2-5/16"	58.7	5-1/2"	139.7

NPT Models Normally Closed	2-Way
V050T2G1ZA024Q4A1	1/2" 2-way
V075T2G1ZA024Q4A1	3/4" 2 way
V100T2G1ZA024Q4A1	1" 2-way

Consult factory for additional model numbers.



NPT Models Normally Closed	3-Way
V050T3G1ZA024Q4A1	1/2" 3-way
V075T3G1ZA024Q4A1	3/4" 3-way
V100T3G1ZA024Q4A1	1" 3-way